

CHAPTER

73

**ENGINE
FUEL AND
CONTROL**

CESSNA®
MODEL 208
ILLUSTRATED PARTS CATALOG

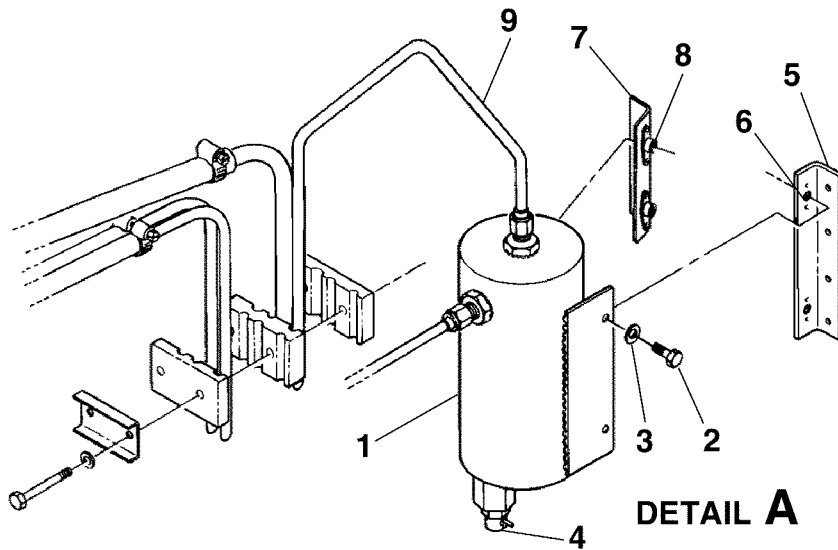
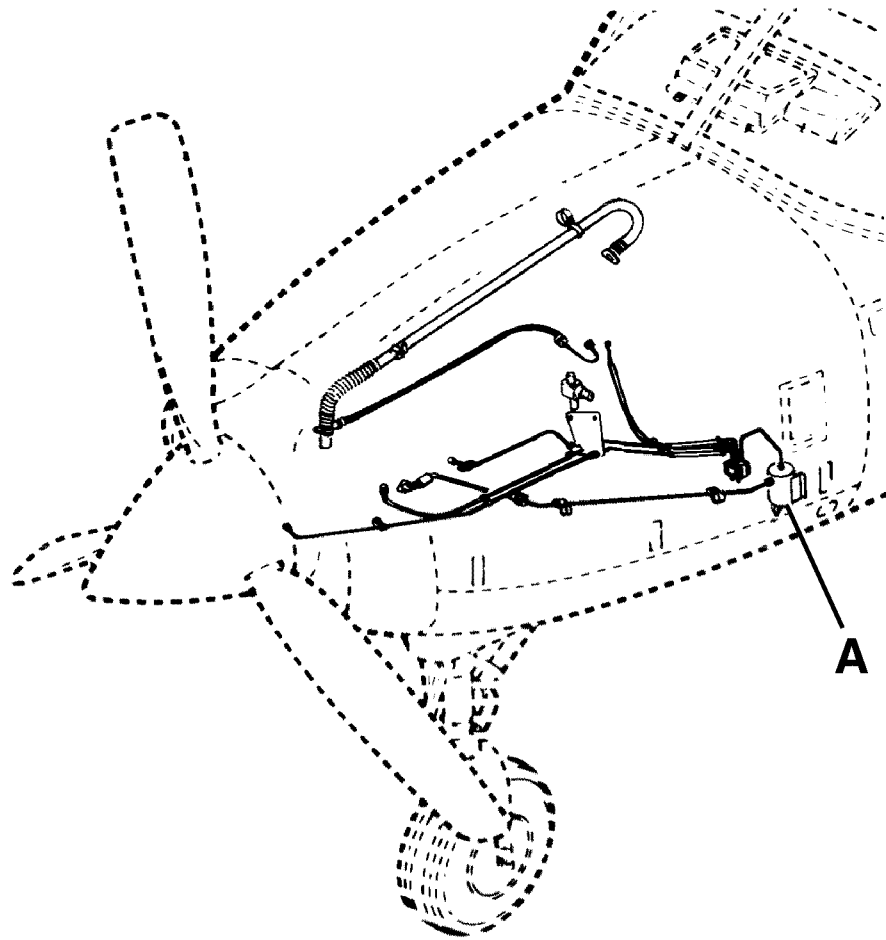
CHAPTER SECTION SUBJECT		NUMBER OF PAGES	DATE
73 - TITLE			
73 - LIST OF EFFECTIVE PAGES			
73 - RECORD OF TEMPORARY REVISIONS			
73 - TABLE OF CONTENTS			
73-10-00	Figure 01	2	Dec 1/2012
73-10-00	Figure 02	2	Sep 1/2019
73-30-00	Figure 01	2	Jun 1/2010
73-32-00	Figure 01	2	Mar 1/2020

CESSNA®
MODEL 208
 ILLUSTRATED PARTS CATALOG

<u>SUBJECT</u>	<u>CHAPTER SECTION SUBJECT</u>	<u>FIGURE</u>	<u>EFFECTIVITY</u>	
			<u>START</u>	<u>END</u>
EPA CAN INSTALLATION	73-10-00	01	0001 B0001	& ON B4999
EPA CAN INSTALLATION	73-10-00	02	0242 B0435	& ON & ON
FUEL FLOW INDICATOR INSTALLATION	73-30-00	01	0001 B0001	0499 B1999
FUEL TOTALIZER INDICATING SYSTEM	73-32-00	01		

CESSNA®
MODEL 208
ILLUSTRATED PARTS CATALOG

A24542



DETAIL A

EPA CAN INSTALLATION
FIGURE 01 (SHEET 1)

26561004
A26562004

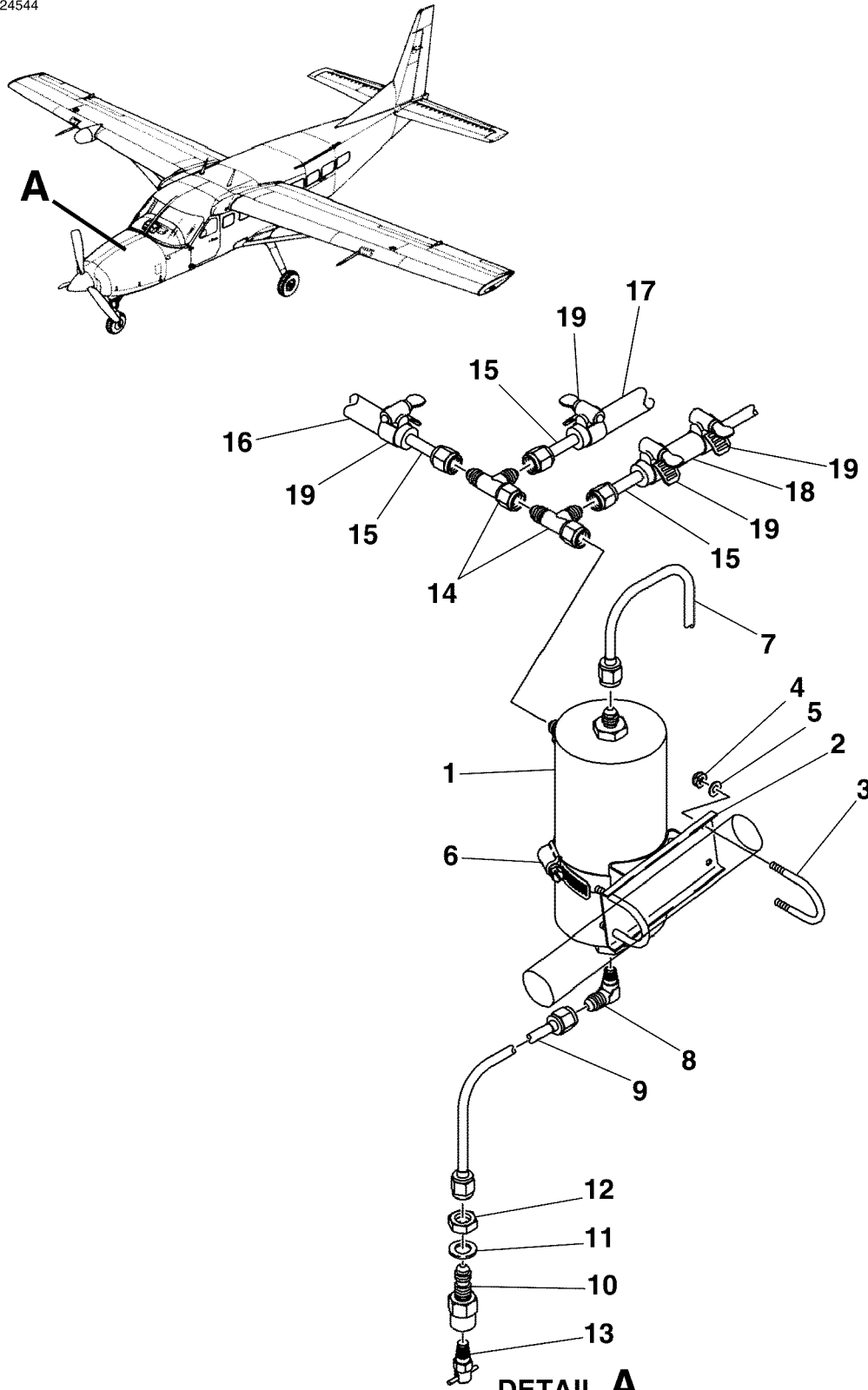
CESSNA®
MODEL 208
 ILLUSTRATED PARTS CATALOG

FIG ITEM	PART NUMBER	NOMENCLATURE	UNITS PER ASSY		
			1	2	3
01		EPA CAN INSTALLATION	0001	& ON	RF R
-			B0001	B4999	
1	2656011-2	. CAN ASSY-EPA			01
		. ATTACHING PARTS			
2	AN3-3A	. BOLT			04
3	NAS1149C0332R	. WASHER			04
		. *			
4	0850410-1	. DRAIN VALVE-EPA CAN			01
5	2656011-12	. SUPPORT BRACKET ASSY-EPA OUTBD	0001	0329	01
			B0001	B1301	
- 5A	2656011-19	. BRACKET ASSY-EPA OUTBD	0330	& ON	01 R
			B1302	B4999	
6	MS21047L3	. . NUTPLATE			02
7	2656011-16	. BRACKET ASSY-EPA INBD	0001	0329	01
			B0001	B1301	
- 7A	2656011-20	. BRACKET ASSY-EPA INBD	0330	& ON	01 R
			B1302	B4999	
8	MS21047L3	. . NUTPLATE			02
9	2600101-74	. LINE ASSY-EPA CAN VENT			01

- ITEM NOT ILLUSTRATED

CESSNA®
MODEL 208
ILLUSTRATED PARTS CATALOG

A24544



DETAIL A

EPA CAN INSTALLATION
FIGURE 02 (SHEET 1)

261070021
A2656T1026

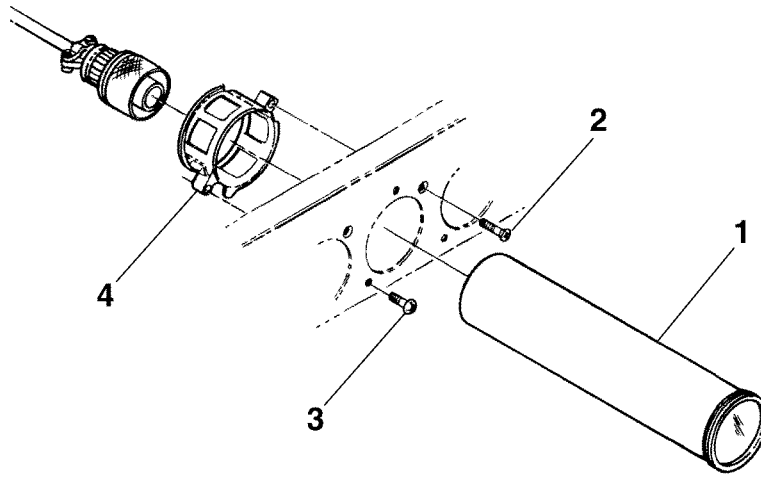
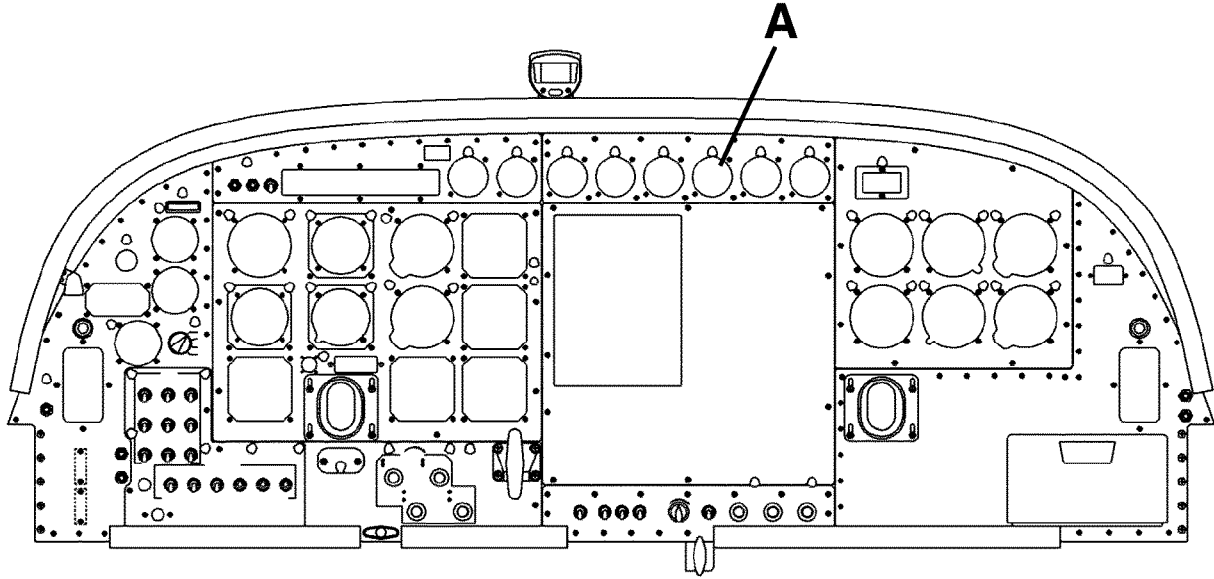
CESSNA®
MODEL 208
 ILLUSTRATED PARTS CATALOG

FIG ITEM	PART NUMBER	NOMENCLATURE	UNITS PER ASSY		
			1	2	3
02					
-		EPA CAN INSTALLATION REFER TO NOTE 1	0242	& ON	RF
			B0435	& ON	
1	2656011-18	. CAN ASSY-EPA			01
2	2601260-2	. SUPPORT BRACKET ASSY			01
3	2601260-5	. CLAMP BOLT			02
		. ATTACHING PARTS			
4	MS21083N3	. NUT			04
5	NAS1149D0332K	. WASHER			04
		. CLAMP-EPA CAN ATTACH			01
6	S1891-48S	. VENT TUBE ASSY FSO 2650085-14	0242	0260	NP
7	2650085-7		B0435	B0597	
- 7A	2650085-14	. VENT TUBE ASSY	0261	& ON	01
			B0598	& ON	
8	MS20822-4	. ELBOW			01
9	2650085-8	. DRAIN TUBE ASSY FSO 2650085-15	0242	0260	NP
			B0435	B0597	
- 9A	2650085-15	. DRAIN TUBE ASSY	0261	& ON	01
			B0598	& ON	
10	2650085-13	. FITTING-BULKHEAD			01
11	NAS1149D0763K	. WASHER			01
12	AS5178-04	. NUT			01
13	0850410-1	. VALVE ASSY-DRAIN EPA CAN			01
14	CM3686D04-04-04	. TEE ALT FOR 7M151DA4L			02 R
- 14A	7M151DA4	. TEE ALT FOR CM3686D04-04-04			02 R
- 14B	7M151DA4L	. TEE ALT FOR CM3686D04-04-04			02 R
15	2650085-10	. TUBE ASSY			03
16		. HOSE REFER TO 21-51-01 FIGURE 01			RF
17		. HOSE REFER TO 71-70-00 FIGURE 01			RF
18	S2554-4	. HOSE 3.00 IN LG BKI			01
19	AN737TW22	. CLAMP			04

NOTE 1—AIRPLANES -0242 & ON AND -B0435 & ON, AND AIRPLANES -0001 THRU -0241 AND -B0001 THRU -B0434 INCORPORATING SK208-122.

CESSNA®
MODEL 208
ILLUSTRATED PARTS CATALOG

A24546



DETAIL A

FUEL FLOW INDICATOR INSTALLATION
FIGURE 01 (SHEET 1)

2618T1015
A26181033

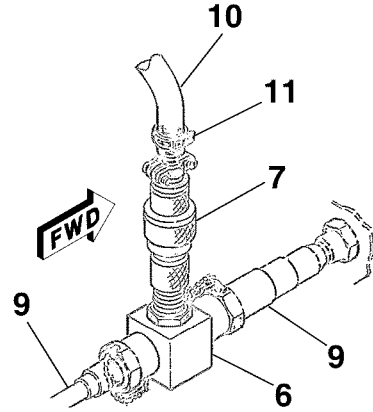
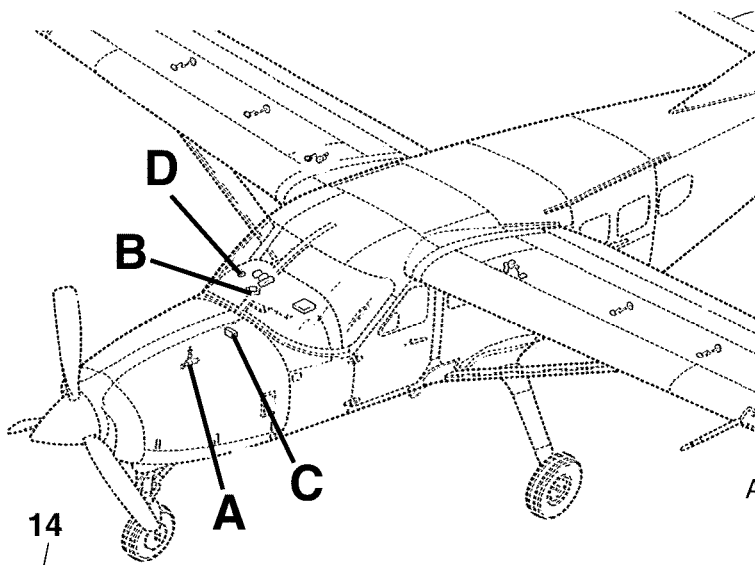
CESSNA®
MODEL 208
 ILLUSTRATED PARTS CATALOG

FIG ITEM	PART NUMBER	NOMENCLATURE	UNITS PER ASSY		
			1	2	3
01		FUEL FLOW INDICATOR INSTALLATION	0001	0499	RF R
-			B0001	B1999	
1	9910338-8	. INDICATOR-FUEL FLOW ATTACHING PARTS			01
2	MS24693BB50	. SCREW			01
3	MS35214-43	. SCREW			01
4	MS28042-1A	. CLAMP			01
		—*—			

- ITEM NOT ILLUSTRATED

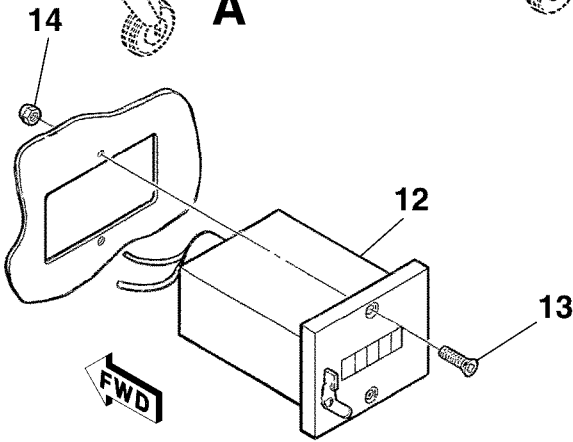
CESSNA®
MODEL 208
 ILLUSTRATED PARTS CATALOG

A24535

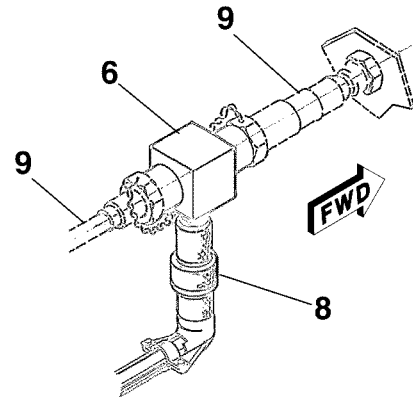


DETAIL A

AIRPLANES 20800001 THRU 20800079

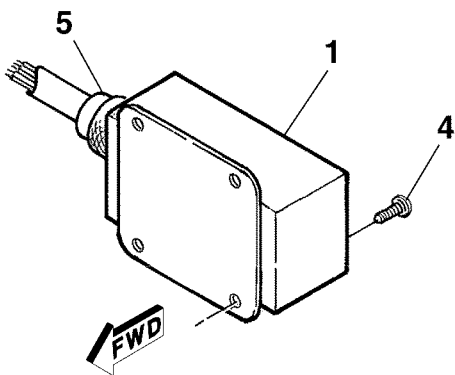


DETAIL D



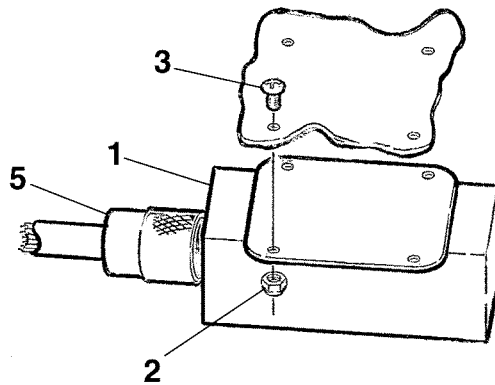
DETAIL A

AIRPLANES 20800080 AND ON
 AND 208B0001 AND ON



DETAIL C

AIRPLANES 20800035 AND ON



DETAIL B

AIRPLANES 20800001 THRU 20800034

26263002
 A26561006
 A26561006A
 B26561007
 C26561007A
 D26161017

FUEL TOTALIZER INDICATING SYSTEM
 FIGURE 01 (SHEET 1)

CESSNA®
MODEL 208
ILLUSTRATED PARTS CATALOG

FIG ITEM	PART NUMBER	NOMENCLATURE	UNITS PER ASSY		
			1	2	3
01		FUEL TOTALIZER INDICATING SYSTEM			RF R
-					
1	9910338-7	. SIGNAL CONDITIONER-FUEL TOTALIZER	0001	0499	01 R
			B0214	B1999	
		ATTACHING PARTS			
2	NAS1022N3	. NUT	0001	0034	04
3	MS35207-261	. SCREW	0001	0034	04
4	MS35207-261	. SCREW	0035	0499	02 R
		—*—			
5	S2654-6	. CONNECTOR	0001	0499	01 R
			B0214	B1999	
6	9910338-6	. TRANSMITTER-FUEL FLOW UN032 REFER TO NOTE 2	0001	0650	01 R
			B0001	B5500	
- 6A	1/2-2-81-301	. FUEL FLOW TRANSMITTER UN032 V03024	0651	& ON	01 R
			B5501	& ON	
- 6B	MS20995C41	. WIRE	0651	& ON	AR R
			B5501	& ON	
- 6C	A2049SM	. SHIELD ASSEMBLY KIT	0651	& ON	01 R
			B5501	& ON	
7	S2654-13	. CONNECTOR-FUEL FLOW TRANSMITTER	0001	0079	01
8	S2654-23	. CONNECTOR-FUEL FLOW TRANSMITTER	0080	0129	01 R
			B0001	B0082	
- 8A	MS3126F10-6S	. CONNECTOR ALT FOR S2654-23	0130	0650	01 R
			B0083	B5500	
- 8B	MS3116F8-4S	. PLUG	0651	& ON	01 R
			B5501	& ON	
9		. LINE ASSY-FUEL FLOW REFER TO NOTE 1			RF
10	S2513-8	. HOSE 10.00 IN LG BKI	0001	0079	01
		ATTACHING PARTS			
11	MS3367-1-9	. STA STRAP	0001	0079	02
		—*—			
12	9910338-4	. FUEL TOTALIZER INDICATOR	0001	0499	01 R
			B0214	B1999	
		ATTACHING PARTS			
13	MS21045L04	. NUT	0001	0499	02 R
			B0214	B1999	
14	MS24693BB6	. SCREW	0001	0499	02 R
			B0214	B1999	

NOTE 1—REFER TO THE MAINTENANCE MANUAL FOR THE SUPPLIER PUBLICATION LIST.

NOTE 2—THIS PART ALSO AVAILABLE AS A REMANUFACTURED PART